

# Swing Cathodes™

Swing Cathodes™ are an external-mount end block with additional, programmable motor that swings the magnet bar from side to side.

Swing Cathodes™ are designed to coat static substrates, including 3D and display coating.

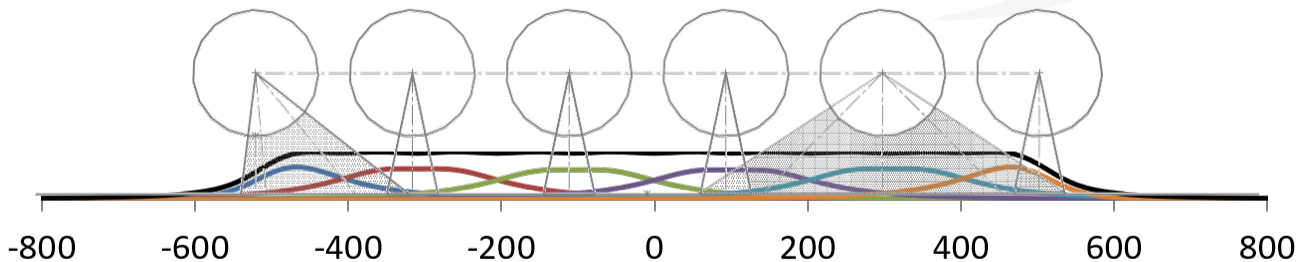
With Swing Cathodes™, uniformity of  $< \pm 1\%$  can be achieved on a static substrate compared to  $> \pm 15\%$  on static substrates when not using swing.



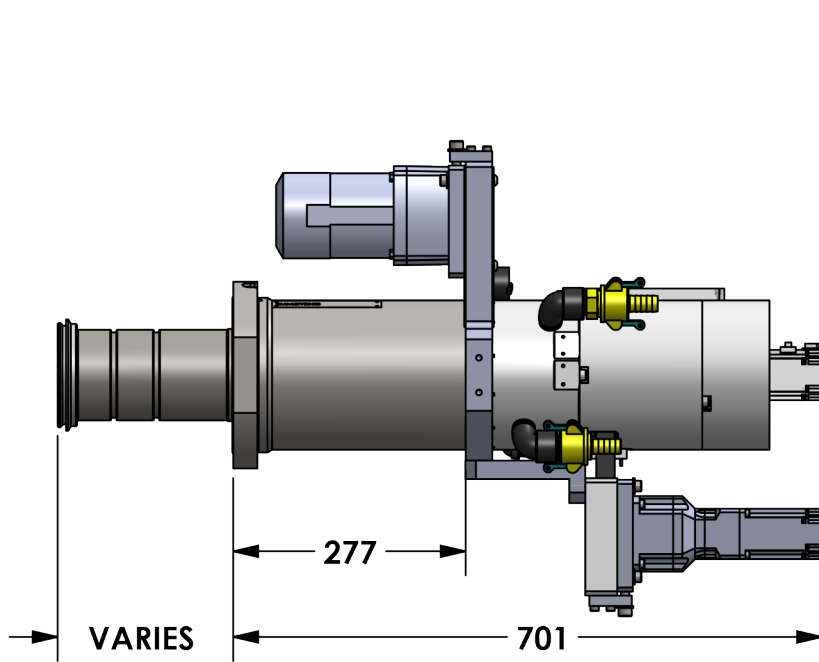
While the target continuously rotates, the magnet bar inside swings in a programmable motion.

## TECHNICAL SPECIFICATIONS

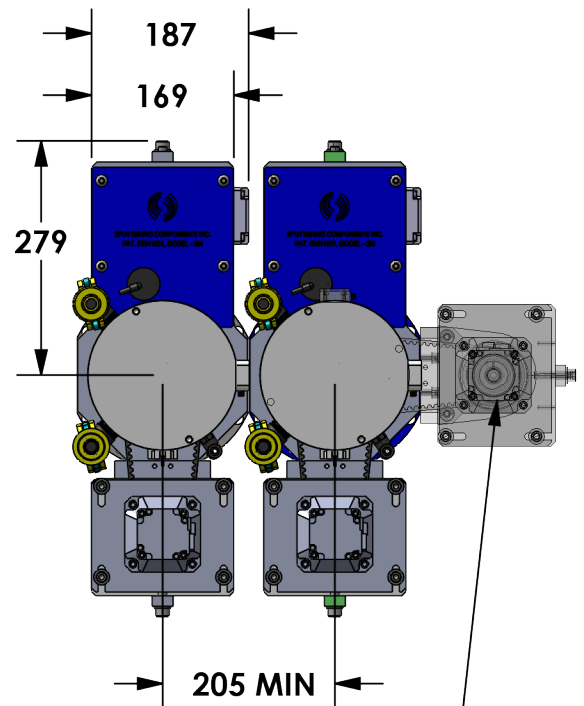
Model	Power	VA	Maximum Target Length
SMS	Up to 200 kW DC or MFAC	1500 V / 450 A	4000 mm
MMS	Up to 100 kW DC or MFAC	1500 V / 225 A	2500 mm
CMS	Up to 20 kW DC or MFAC	1500 V / 50 A	1000 mm



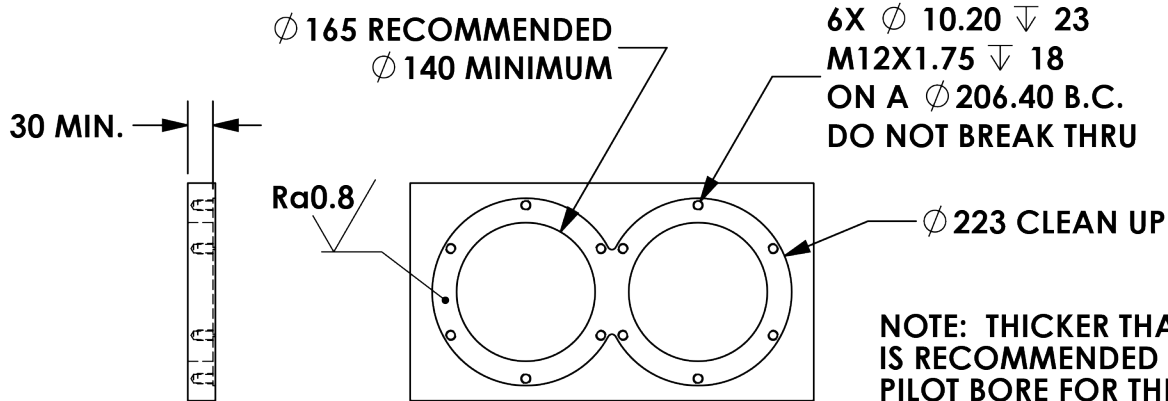
# SM Swing Cathode™ (SMS)



**ABSOLUTE MINIMUM DRIVESHAFT LENGTH = WALL THICKNESS + 10mm**



**NOTE: POSITION AND SIZE OF SERVO MAY VARY**

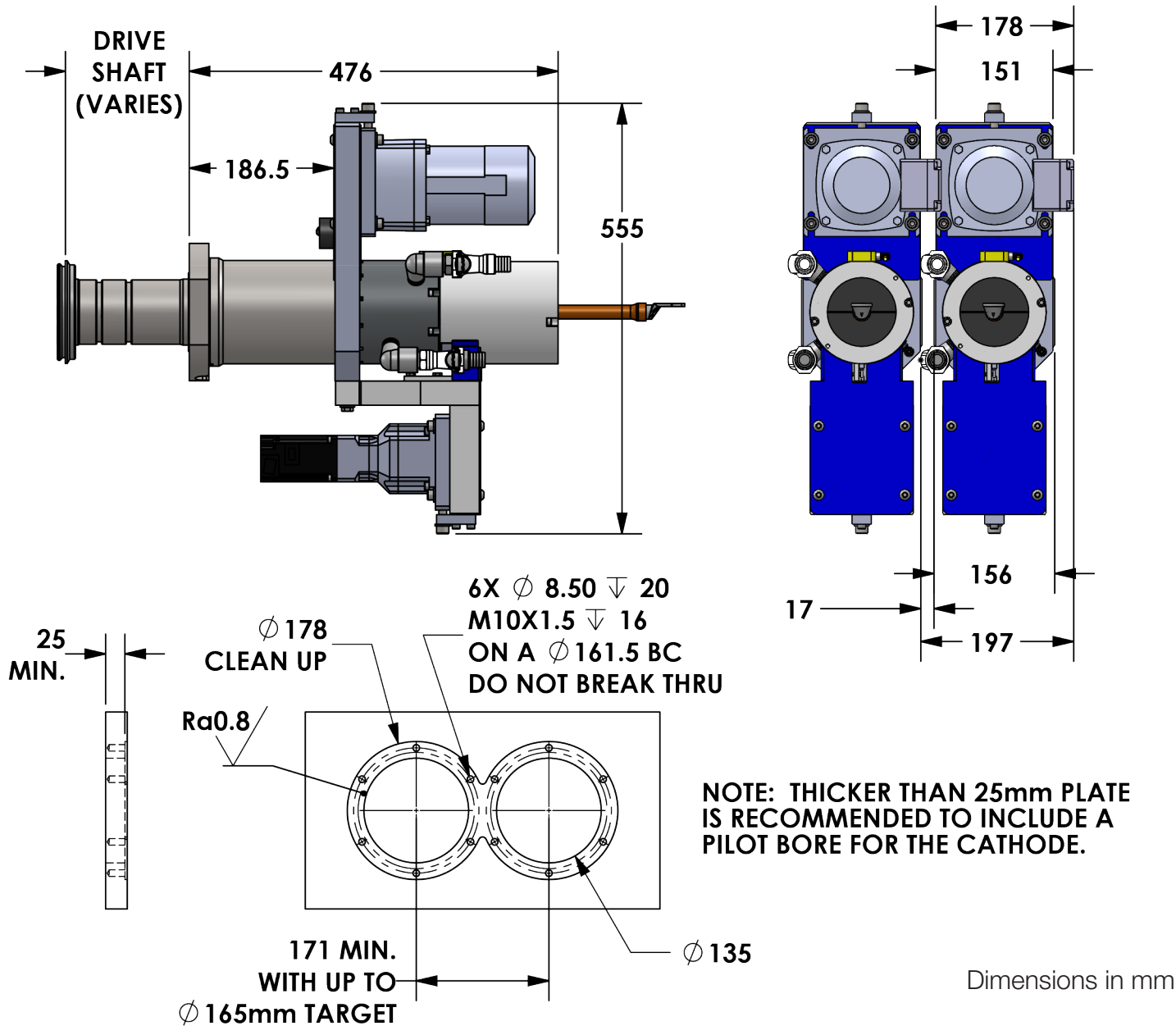


**NOTE: THICKER THAN 30mm PLATE IS RECOMMENDED TO INCLUDE A PILOT BORE FOR THE CATHODE.**

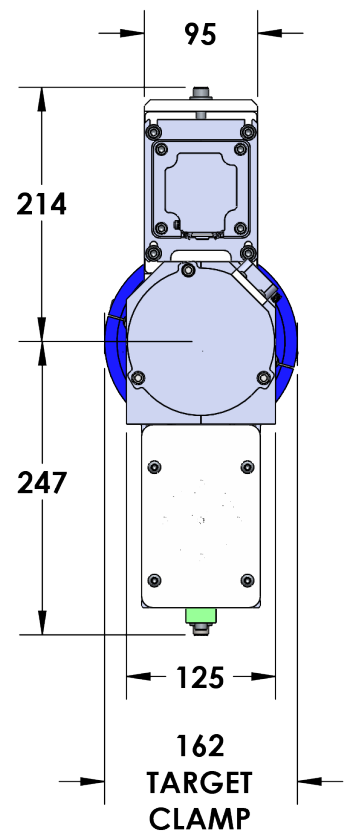
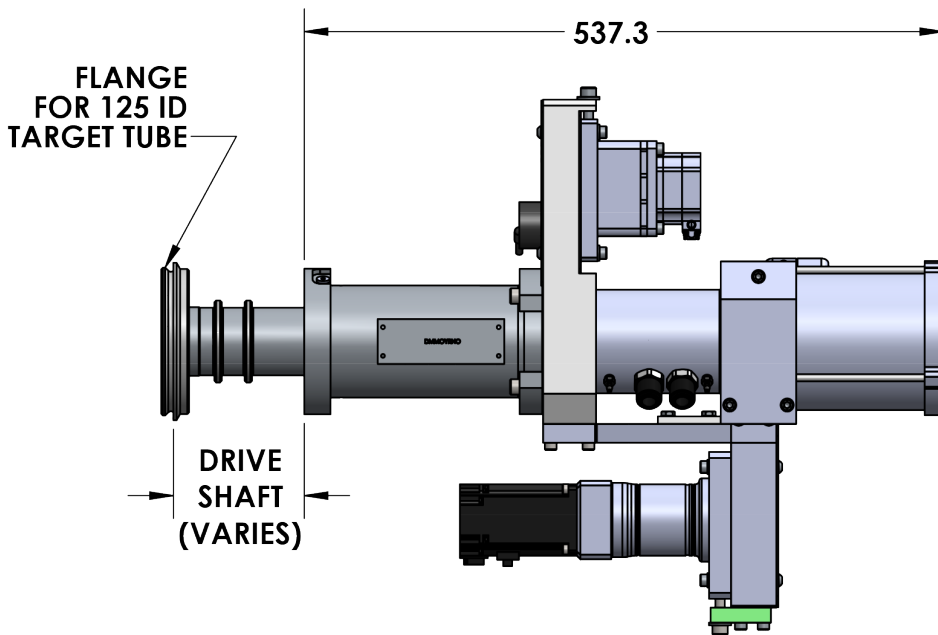
Dimensions in mm

# MM Swing Cathode™ (MMS)

**ABSOLUTE MINIMUM DRIVESHAFT  
LENGTH = WALL THICKNESS + 10mm**

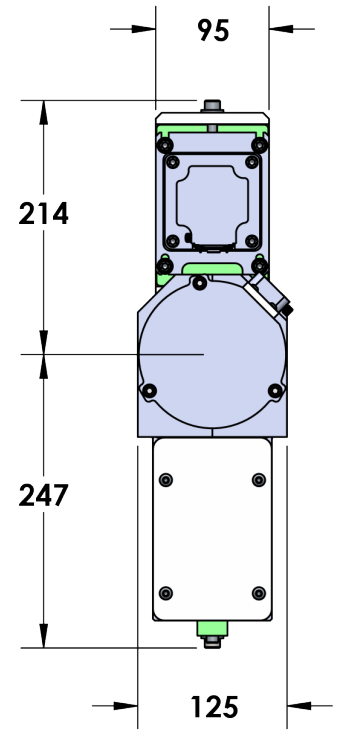
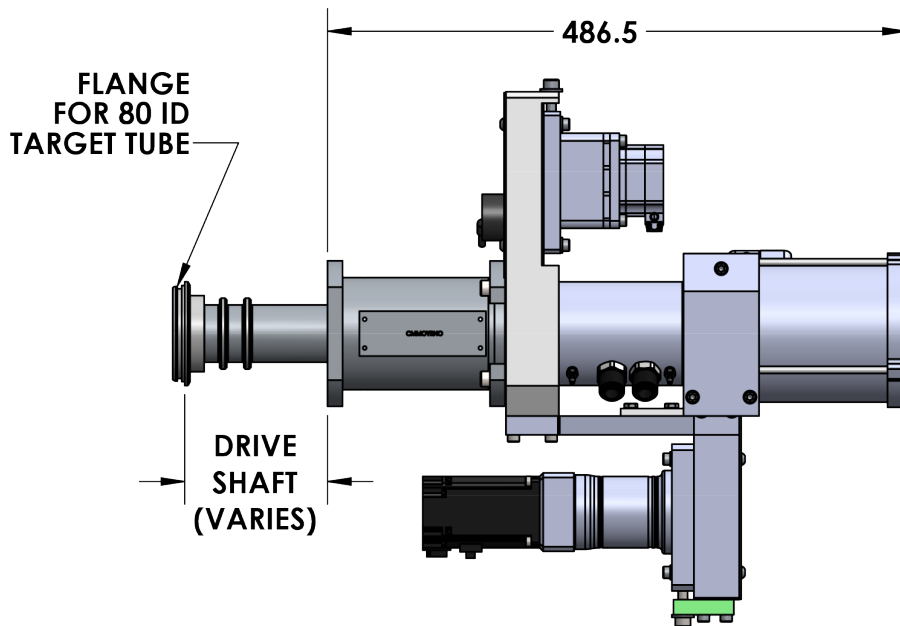


CM Swing Cathode™ (CMS) for 125 mm diameter targets



Dimensions in mm

CM Swing Cathode™ (CMS) for 80 mm diameter targets



Dimensions in mm

**ABSOLUTE MINIMUM DRIVESHAFT  
LENGTH = WALL THICKNESS +20mm**